

**H-1041**  
DURACELL TYPE 700A



**H-1042**  
WIND AND CLOUD TYPE 600A



**H-1043**  
SHOOTING STAR TYPE 800A



**H-1044**  
BURNPROOF ELABORATE PRODUCT TYPE 500A



**H-1045**  
LAO FU TYPE 800A



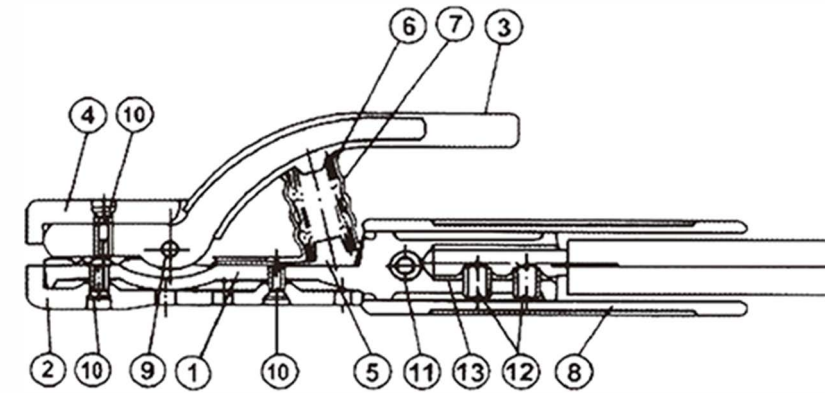
**H-1046**  
SPECTAL OFFER TYPE 500A



**H-1047**  
AIR GOUGING ELECTRODE HOLDER 500A



**H-1048**  
AIR GOUGING ELECTRODE HOLDER 800A



**How To Joint Cable**



Parts No.	Parts List	Parts No.	Parts List
1	Body	8	Fibre Grop
2	Lower Insulation Cover	9	Hinge pin
3	Lower Tongs	10	Screw with Flat head
4	Upper insulation Cover	11	Ser Bolt for Grip
5	Spring Receiver	12	Ser Bolt for Cable Connection
6	Spring	13	Copper Clamp for Cable
7	Spring Cover	14	Hexagonal wrench



**ELECTRODE HOLDER**

The outer body adopts DMC insulating material, comfortable to touch

Excellent performance in anti-impact and heat resistance

Highly conductive brass material

Strong spring jaws make it easy to grip electrodes

Insulation cover protects users against electricity

Delicate-designed structure and appearance

Styles can choose in German, American, Italian, Netherland, Japanese, Korean, French, Russian and European types.

CYRREBT CAOACUTT	CABLE SFPECIFICATION	WELDING ROD SPECIFICATION
(A)	(MM <sup>2</sup> )	(MM)
300~350	50	2.0~5.8
450~500	95	3.2~8.0
500~800	95	3.2~8.0

**H-1001**  
JACKSON TYPE ELECTRODE HOLDER 300A



**H-1002**  
JACKSON TYPE ELECTRODE HOLDER 500A



**H-1012**  
AMERICAN TYPE ELECTRODE HOLDER 300-500A



**H-1003A**  
AMERICAN TYPE ELECTRODE HOLDER 300-500A



**H-1003B**  
AMERICAN TYPE ELECTRODE HOLDER 300-500A



**H-1013/H-1014/H-1015**  
GERMANY TYPE ELECTRODE HOLDER 300A/400A/500A



**H-1016/H-1017**  
GERMANY TYPE ELECTRODE HOLDER 600A/800A



**H-1004**  
AMERICAN TYPE ELECTRODE HOLDER 200A



**H-1005**  
AMERICAN TYPE ELECTRODE HOLDER 300A



**H-1021/H-1022**  
JAPANESE TYPE ELECTRODE HOLDER 300A/400A



**H-1023/H-1024**  
JAPANESE TYPE ELECTRODE HOLDER 500A/600A



**H-1006/H-1007**  
AMERICAN TYPE ELECTRODE HOLDER 500A/600A



**H-1008**  
AMERICAN TYPE ELECTRODE HOLDER 800A



**H-1024B**  
JAPANESE TYPE ELECTRODE HOLDER 600A



**H-1025**  
JAPANESE TYPE ELECTRODE HOLDER 800A



**H-1026**  
KOREAN TYPE ELECTORDE HOLDER 300A



**H-1027**  
KOREAN TYPE ELECTORDE HOLDER 500A



**H-1034**  
NETHERLAND TYPE ELECTRODE HOLDER 500A



**H-1049**  
NETHERLAND TYPE ELECTRODE HOLDER 500A



**H-1028**  
KOREAN TYPE ELECTORDE HOLDER 600A



**H-1029**  
ITALIAN TYPE ELECTRODE HOLDER 150A



**H-1035**  
NETHERLAND TYPE ELECTRODE HOLDER 600A



**H-1036**  
FRENCH TYPE ELECTRODE HOLDER 300A



**H-1030**  
ITALIAN TYPE ELECTRODE HOLDER 200A



**H-1031**  
ITALIAN TYPE ELECTRODE HOLDER 300A



**H-1037**  
FRENCH TYPE ELECTRODE HOLDER 500A



**H-1038**  
RUSSIAN TYPE ELECTRODE HOLDER 300A



**H-1032**  
ITALIAN TYPE ELECTRODE HOLDER 500A



**H-1033**  
NETHERLAND TYPE ELECTRODE HOLDER 300A

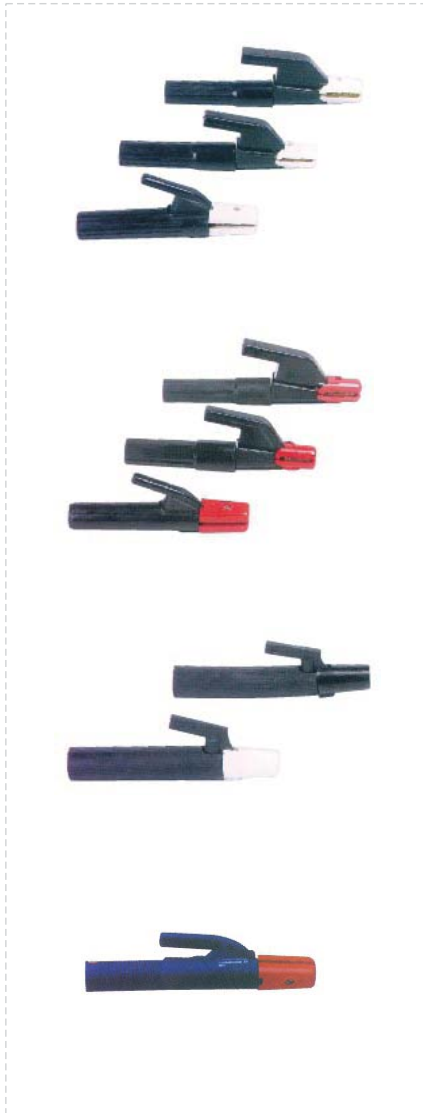


**H-1039**  
RUSSIAN TYPE ELECTRODE HOLDER 500A



**H-1040**  
RUSSIAN TYPE ELECTRODE HOLDER 600A





Code	Ref.	Description	Pack
IIH0100		Italy Type Electrode Holder 200A 意式电焊钳200A	50
IIH0101		Italy Type Electrode Holder 300A 意式电焊钳300A	50
IIH0102		Italy Type Electrode Holder 500A 意式电焊钳500A	50

Code	Ref.	Description	Pack
IIH0105		Italy Type Electrode Holder 200A Red 红色意式电焊钳200A	50
IIH0106		Italy Type Electrode Holder 300A Red 红色意式电焊钳300A	50
IIH0107		Italy Type Electrode Holder 500A Red 红色意式电焊钳500A	50

Code	Ref.	Description	Pack
IIH0110		Italy Type Electrode Holder 200A 意式电焊钳200A	50

Code	Ref.	Description	Pack
IIH0115		Italy Type Electrode Holder 300A Red 意式电焊钳300A	50
IIH0116		Italy Type Electrode Holder 500A Red 意式电焊钳500A	50



Code	Ref.	Description	Pack
IHQ0117		Italy Type Electrode Holder 200A 意式电焊钳200A	50
IHQ0118		Italy Type Electrode Holder 300A 意式电焊钳300A	50
IHQ0119		Italy Type Electrode Holder 400A 意式电焊钳400A	50

Code	Ref.	Description	Pack
IIH0125		Holland Type Electrode Holder 300A 荷兰式电焊钳300A	50
IIH0126		Holland Type Electrode Holder 500A 荷兰式电焊钳500A	50

Code	Ref.	Description	Pack
IIH0130		Australian Type Electrode Holder 300A 澳式电焊钳300A	50